



SL-iRRIGATION
GROUPE CLAIRE

Advantages

A SINGLE MODEL

that fits all hydrants on the market
(including BIR and ADM hydrants)

LIGHTWEIGHT, MODULAR AND COMPACT UNIT

MULTIPLE FUNCTIONS

metering, pressure regulation
and flow limiting

ULTRASONIC METERING DEVICE

designed to measure raw water across a
wide range of flow rates with built-in radio
and remote meter reading capabilities

SECURE SYSTEM

to provide protection against attempted
fraud

REMOTE MONITORING OPTION

available for consumption levels and
alarms by radio frequency or IoT network,
and can be integrated into a management
system

PROTECTED POST-HYDRANT IRRIGATION SYSTEM

with pressure regulator

WITHDRAWAL IN ACCORDANCE WITH THE AUTHORIZED FLOW RATE

thanks to flow limiter

PRIZIUS

Ultrasonic irrigation outlet

Connection outlet
for irrigation hydrant



- Universal multi-brand solution
- Easy to install for technicians
- Improved meter reading performance
- Less need to travel (radio and remote meter reading)
- Optimised operating costs

For everyday distribution applications involving widely varying flow rates

Basic equipment



SL-IRRIGATION
GROUPE CLAIRE

PRIZIUS

BASIC EQUIPMENT PRIZIUS 65 MM

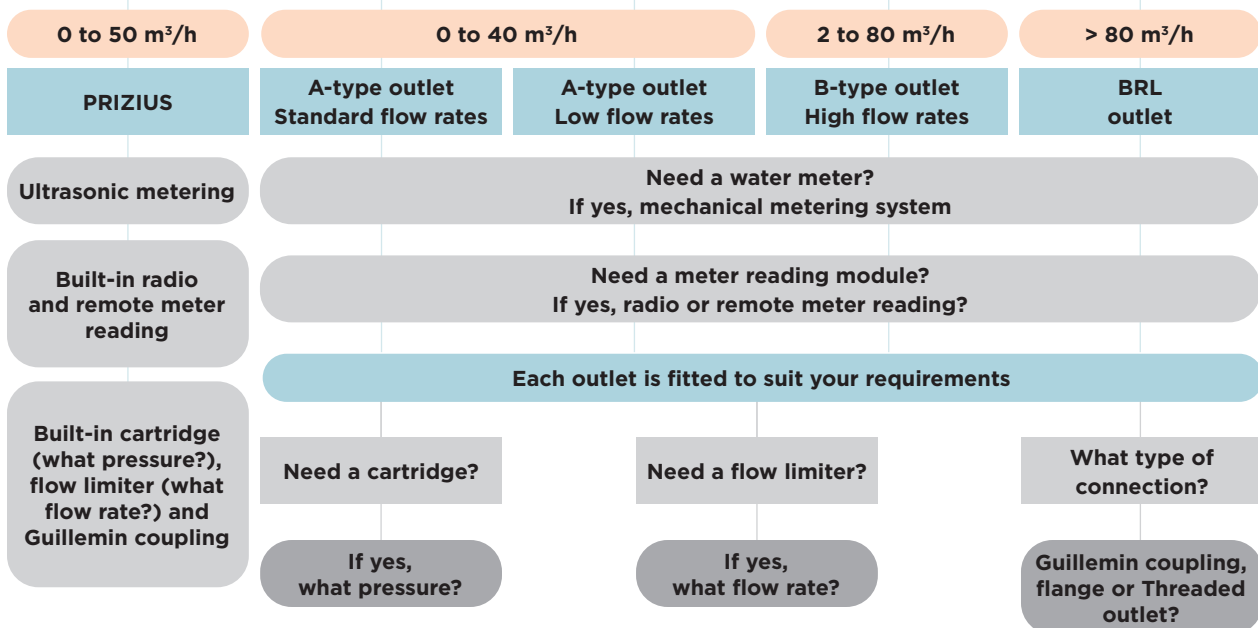
Most standard applications with distributed flow rates from 0.1 to 50m³/h

Outlet connection: Guillemin half-coupling

To specify your outlet

Identify the outlet type

Selecting the right outlet depends on the maximum flow rate that can pass through it



PRIZIUS

TECHNICAL AND ASSEMBLY CHARACTERISTICS

Technical characteristics

Outlet model	PRIZIUS
Size	65 mm
Outlet connection	Guillemin half-coupling
Max allowable pressure	20 bar
Test pressure	24 bar
Weight	8.8 kg
Meter	
Metering accuracy	+/- 5% from 0.1 to 50 m ³ /h
Metrology validated in accordance with the criteria of standard NF 14268	
Permanent flow rate (Q3i)	40 m ³ /h
Ratio R (Q3i / Q1i)	400
Minimum flow rate (Q1i)	0.1 m ³ /h
Overload flow rate (Q4i)	50 m ³ /h
Start flow rate	0.03 m ³ /h
Summing meter range	999999 m ³
Instant flow rate display and alarms	
Pressure regulator	
Version	Regulator (watertight at zero flow)
Set-point values (Ptr)	3 to 6 bar adjustable on site (factory preset values 3-3.5-4-5-6 bar) 4 to 9 bar adjustable on site (factory preset values 4-5-6-7-8-9 bar) 6 to 11 bar adjustable on site (factory preset values 6-7.5-9-10-11 bar)
Regulated pressure tolerance	-0/1.1xPtr+0.5 (for a flow rate that exceeds the minimum operating flow rate) -0/1.3xPtr (at zero flow for Pupstream-Ptr < 7 bar)
Min operating flow rate	1 L/s
Min operating pressure	Ptr + 2 bar
Flow limiter	
Set-point values (Qtr) Ls (m ³ /h)	1.4(5)-2(7)-3(10)-4(15)-5(18)-6(20)-7(25)-8(30)-10(35)-12(40)
Limited flow tolerance	0/1.2xQtr
Max upstream dynamic pressure	11 bar
Accessories	
Pressure relief valve	Standard
Assembly hardware	Available on option



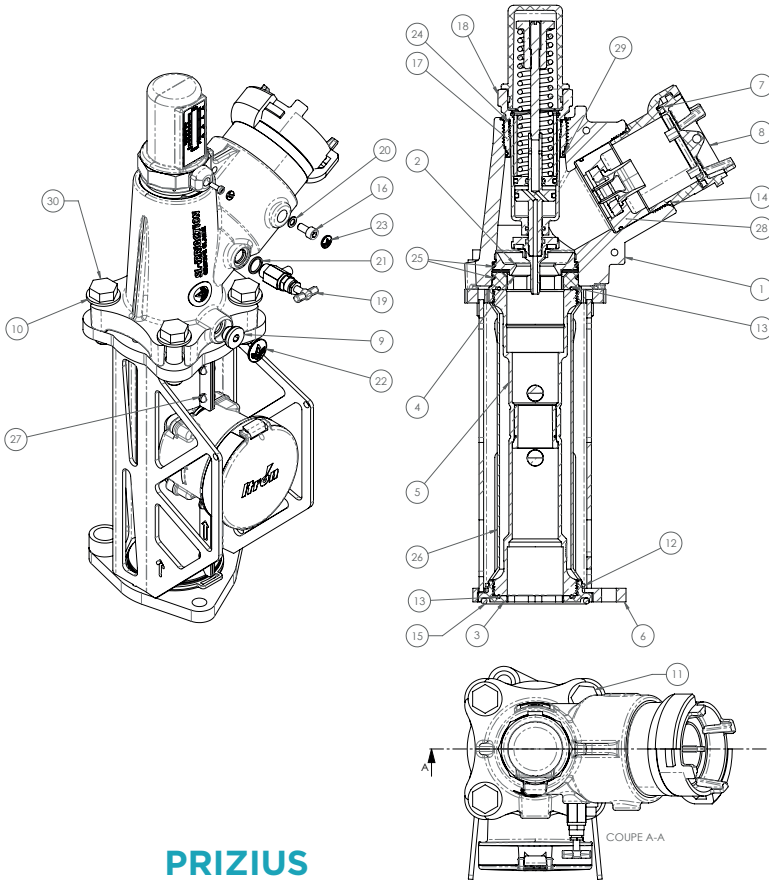
Installation and assembly

Assemble **PRIZIUS** onto the hydrant body using the existing hardware



SL-IRRIGATION
GROUPE CLAIRE

For everyday distribution applications involving widely varying flow rates



- 1 - COMPOSITE BODY
- 2 - REGULATING SEAT
- 3 - BOTTOM METER SEAL
- 4 - TOP METER SEAL
- 5 - US INTELIS DN50 WATER METER, SPECIFICALLY FOR IRRIGATION
- 6 - REINFORCING SPACER
- 7 - 2½-INCH GUILLEMIN COUPLING
- 8 - 2½-INCH GUILLEMIN SYMMETRICAL CAP
- 9 - THREADED WATER MAINS PRESSURE TAPPING OUTLET
- 10 - M14 WASHER
- 11 - HEX M14 DRILLED BOLT
- 12 - METER STOP CLIP
- 13 - O-RING 61X3
- 14 - O-RING 71X3.55
- 15 - O-RING 85.09X5.33
- 16 - CHC M6 SCREW
- 17 - CARTRIDGE ADAPTOR
- 18 - REGULATING CARTRIDGE
- 19 - DRAIN VALVE
- 20 - FLOW-LIMITING SCREW SEAL
- 21 - DRAIN VALVE SEAL
- 22 - PLASTIC SEAL FOR WATER MAINS PRESSURE OUTLET
- 23 - PLASTIC SEAL FOR FLOW LIMITER (GREEN / ORANGE / RED)
- 24 - O-RING 44X2
- 25 - O-RING 69.52X2.62
- 26 - WATER METER PROTECTOR
- 27 - WATER METER PROTECTOR RIVET
- 28 - FLOW LIMITER
- 29 - O-RING 47.29X2.62
- 30 - HEX M14 SCREW

PRIZIUS

Additional products

- **HYDRANTS: A1, A4, B2 BODY**



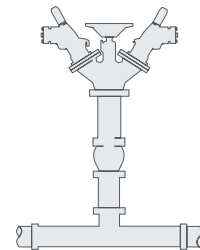
A1 BODY



A4 BODY



B2 BODY



Any commercially available hydrant (BIR and ADM bodies)



SL-IRRIGATION
GROUPE CLAIRE