

E.I.E
GROUPE CLAIRE



Solutions for working

▶ on water networks
without interrupting
the supply



REPAIR & CONNECTION

▶ eie.fr
groupe-claire.com
app-claire.com



claiRE

REPAIR AND CONNECTION



EIE proposes a broad range of parts for repairing or extending the main network.

MADE-TO-MEASURE DESIGN AND MANUFACTURING to adapt to your environment, unique know-how for a high-quality robust part.

MADE-TO-MEASURE REPAIR AND CONNECTION PARTS

for all special or exceptional repairs and connections: all shapes and sizes for all pipe materials.



Network renovation by connecting different pipes and structures



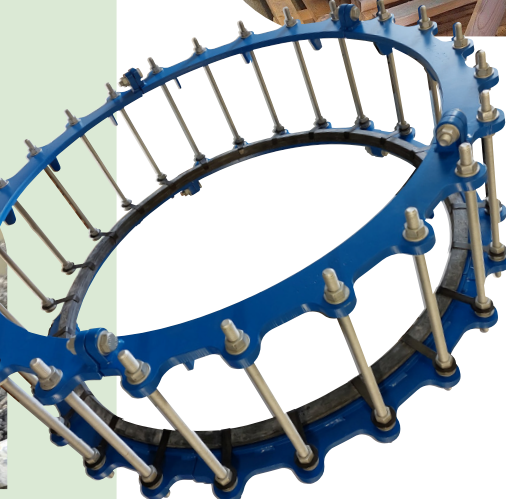
Repair of large-dimension pipes in buried networks or in pumping stations



Manufacture of complex-shaped parts

REPAIR FLANGES TO PREVENT OR REPAIR LEAKS

on fitting for all types of pipes, with the largest dimensions on the market (up to ND2000), and simplified installation without any shims or adaptor notches.



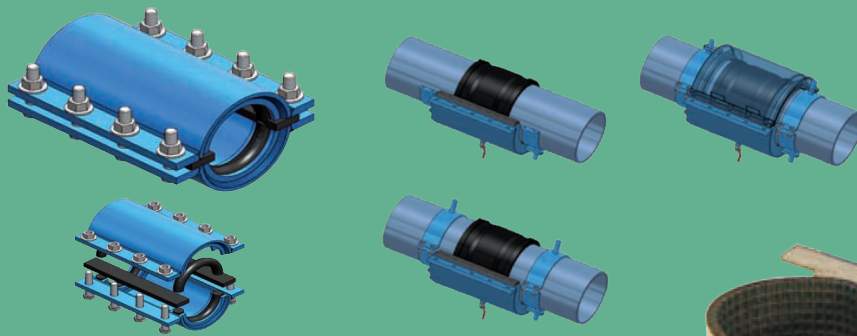
LARGE RANGE OF REPAIR AND CONNECTION SLEEVES

including a patented model for the temporary repair of leaks that compensates for angular or in-line offsets.

Cast iron, steel and stainless steel repair sleeves for all pipe materials



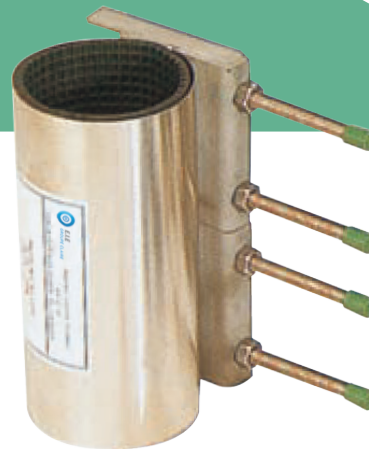
REPAIR SLEEVES ON PVC FITTING OR PE SLEEVE



THE REPAIR SLEEVE FOR LARGE OFFSETS, AN E.I.E.-PATENTED PRODUCT

The so-called articulated stainless steel sleeve is a unique concept on the market.

Designed for making temporary repairs of leaks on pipes that have suffered impacts, cracks or clean breaks, the process makes it possible to compensate for: large angular offsets of up to 10° (on pipes < ND300, 3° above that), in-line offsets of up to 15 mm in the case of nominal diameters < 100 mm, and up to 7 mm above that, and significant tolerances on the diameters.



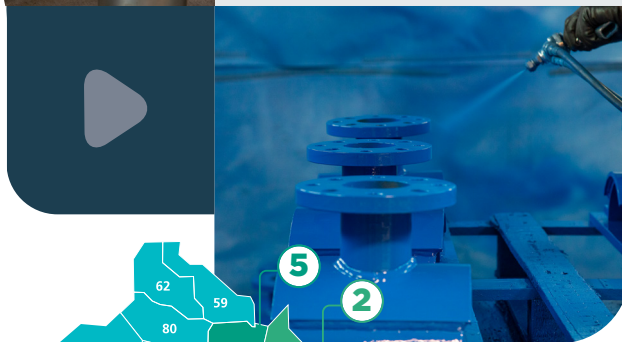


E.I.E
GROUPE CLAIRE

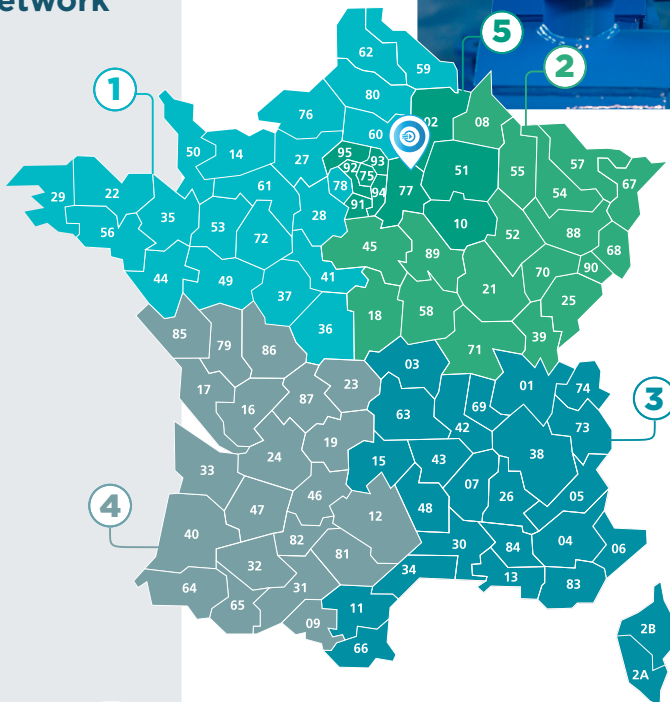
Solutions for working on water networks without interrupting the supply



EIE offers **ready-to-use solutions** for operators in France and abroad, enabling them to **work on water networks without interrupting services**, using the right tools to **branch, connect and repair**.



Our network



Flash me to access our on-line catalogue

1

Vincent GAUTHRON
Sales engineer
33 (0)6 09 76 75 16
vincent.gauthron@eie.fr

2

Linda WOZNICZKA
Sales manager
33 (0)6 20 95 72 31 - 33 (0)1 60 22 33 81
contact@eie.fr

3

Stéphane CARILLON
Sales engineer
33 (0)6 12 14 21 26
stephane.carillon@eie.fr

4

Pascal ALVAREZ
Sales engineer
33 (0)6 25 70 57 57
pascal.alvarez@eie.fr

5

Linda WOZNICZKA
Sales manager
33 (0)6 20 95 72 31 - 33 (0)1 60 22 33 81
contact@eie.fr

EXPORT

Marc CORMERY
Sales manager
33 (0)6 74 99 74 15
marc.cormery@sainte-lizaigne.com



groupe-claire.com
app-claire.com

33 (0)1 60 22 33 81

16 rue du Hainault

77260 Sept Sorts